



GAMING TRUNK
BOARD GAME ORGANIZERS AND MORE



COMPATIBLE WITH
WINGSPAN

gamingtrunk.com



info@gamingtrunk.com



[fb.com/GamingTrunk](https://www.facebook.com/GamingTrunk)



[pinterest.com/gamingtrunk](https://www.pinterest.com/gamingtrunk)



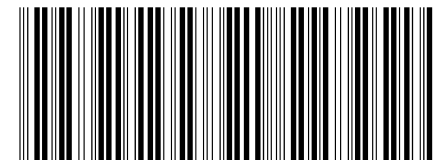
Gaming Trunk
<https://gamingtrunk.com>
Copyright © 2019 Gaming Trunk
Made in Canada

CHICKADEE

DICE TOWER

This is a third-party accessory designed by Gaming Trunk. All product names are trademarks of their respective owners, which are in no way associated or affiliated with Gaming Trunk.

Made in Canada



GT-ACC-WGS-01

Assembly manual

Thank you for purchasing our Chickadee Dice Tower.
A digital copy of the manual is available for download on gamingtrunk.com

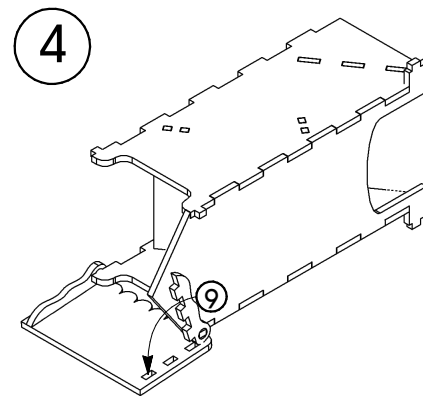
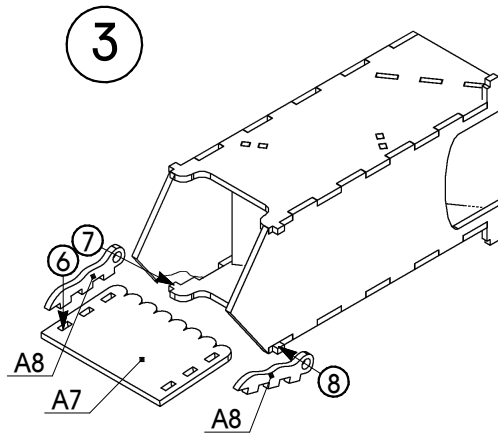
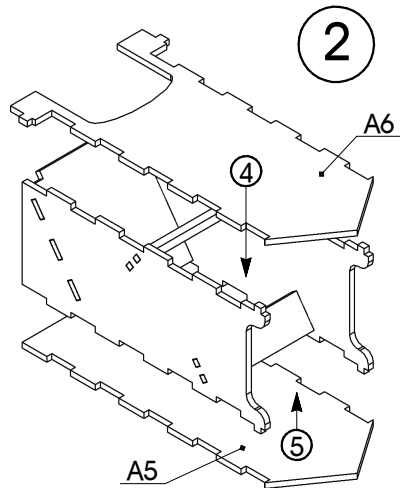
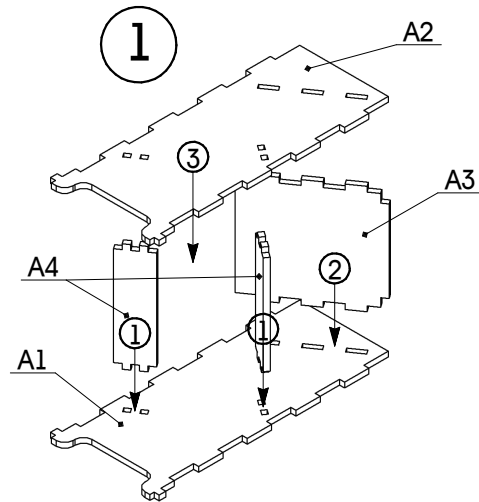
The dice tower assembly requires about 30 minutes.
It is designed for pieces to snap into place. However, due to variances in wood, glue might be required to secure the pieces together.

We recommend wood glue or another comparable quick setting, tacky glue.

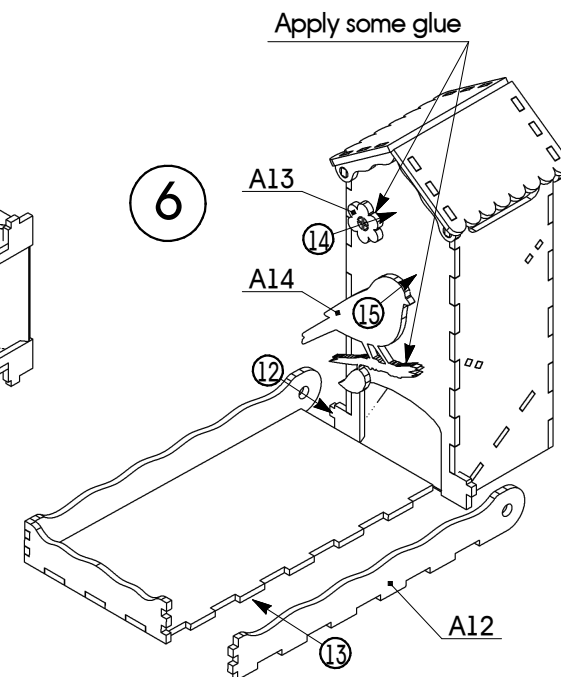
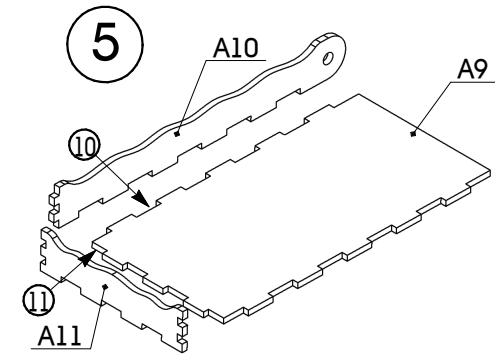
Assembly tips:

-Some connections may require some force to assemble. Use of a rubber mallet is recommended to set the parts on their place.

- Due to the cutting process, some pieces may vary slightly. If the piece is symmetrical reversing it may help



Repeat steps 3 and 4
for another side of the roof



Apply some glue