



COMPATIBLE WITH
LOST RUINS OF ARNAK
AND EXPANSION

ARNAK

ORGANIZER REV 2

© 2023 Czech Games Edition
www.CzechGames.com
This is an officially licensed insert for
Lost Ruins of Arnak from Czech Games Edition.

© 2023 Gaming Trunk
9 Ruben st., PO Box 78,
Kemptville, ON K0G1J0, Canada
www.gamingtrunk.com



ORG-AR-02
Made in Canada

GT-ORG-AR-02



Age: 14+

WARNING:
CHOKING HAZARD – Small parts.
Not for children under 3 years.

Ne convient pas aux enfants de moins de
36 mois. Contient de petits éléments
pouvant être avalés. Risque d'étouffement.



Missing or broken parts?
Email us at info@gamingtrunk.com
with a brief description and a few pictures.
We will be happy to help.

gamingtrunk.com



info@gamingtrunk.com



fb.com/GamingTrunk



pinterest.com/gamingtrunk



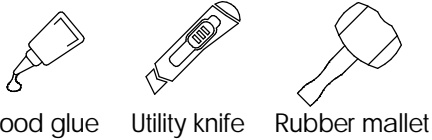
GAMING TRUNK
BOARD GAME ORGANIZERS AND MORE

Gaming Trunk
<https://gamingtrunk.com>
Copyright © 2023 Gaming Trunk
Made in Canada

Assembly manual

Thank you for purchasing our Arnak organizer Rev.2 for Lost Ruins of Arnak.
A digital copy of the manual is available for download on gamingtrunk.com

Tools required



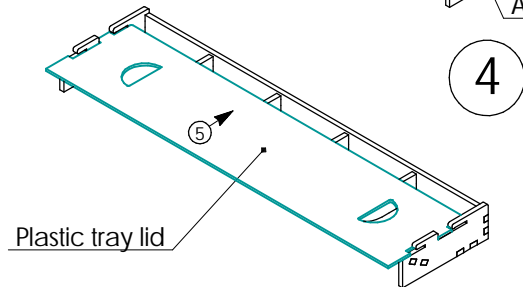
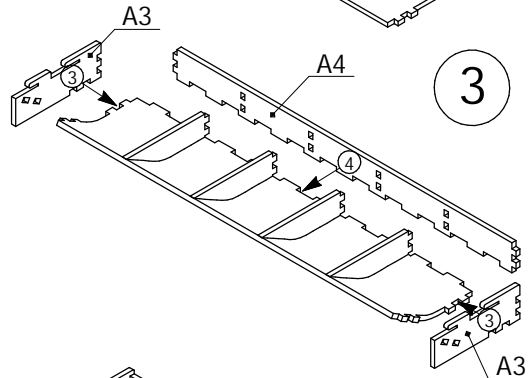
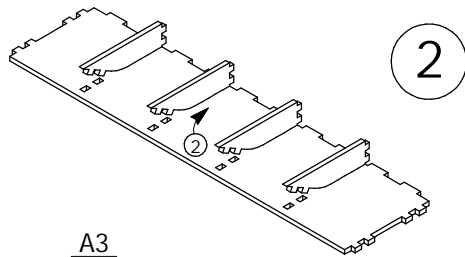
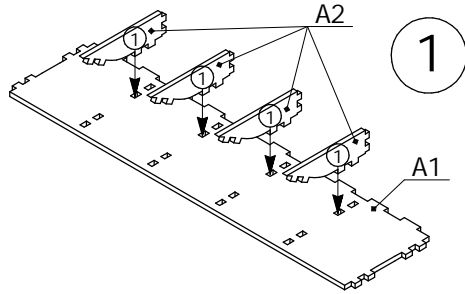
Wood glue Utility knife Rubber mallet

The organizer assembly requires about 90 minutes.
The organizer is designed for no-glue assembly. However, applying some glue on the corner connections will increase trays durability. Due to variances in wood, a rubber mallet or glue might be required to secure the pieces together.

We recommend wood glue or another comparable quick setting, tacky glue.

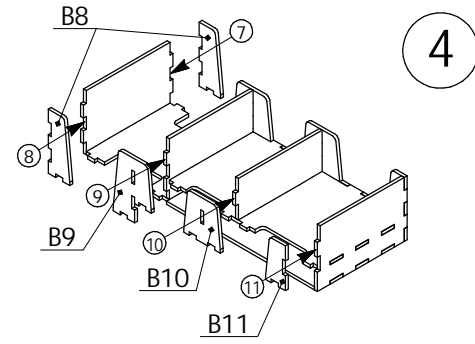
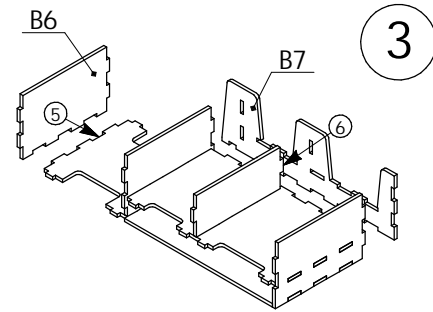
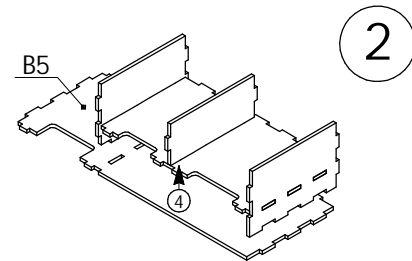
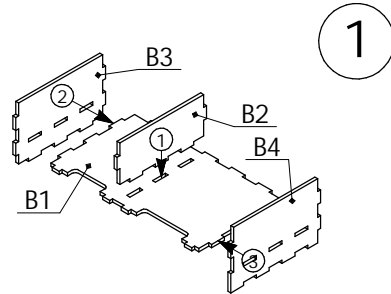
Assembly tips:
- Use utility knife to cut parts out of the sheets. Panching parts might cause wood splitting.
- Some connections may feel too tight. Use of a rubber mallet is recommended to set the parts on their place.
- Due to the cutting process, some pieces may vary slightly. If the piece is symmetrical reversing it may help

Tokens tray (x2)
(Parts A; Sheets 1, 2)

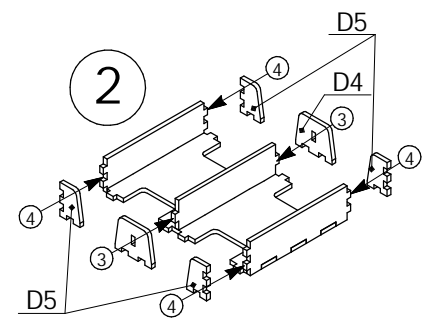
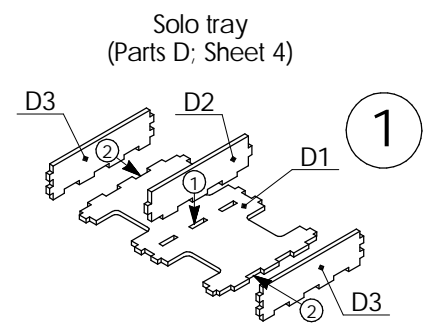
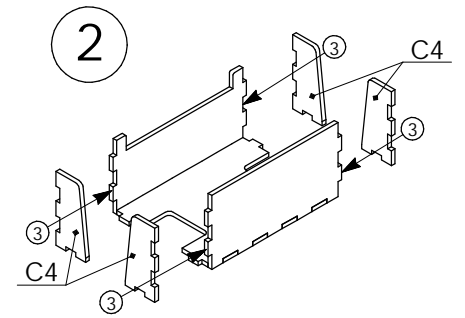
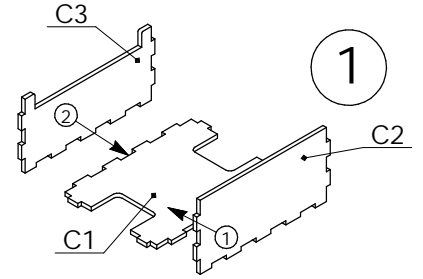


Please remove protective film from the tray lids before use

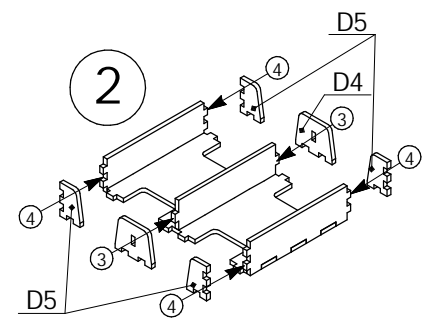
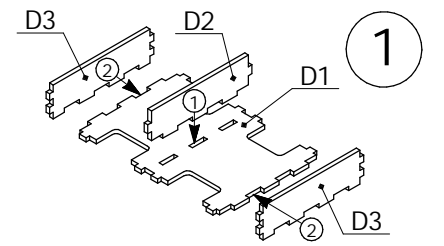
Guardian tray
(Parts B; Sheets 3, 4)

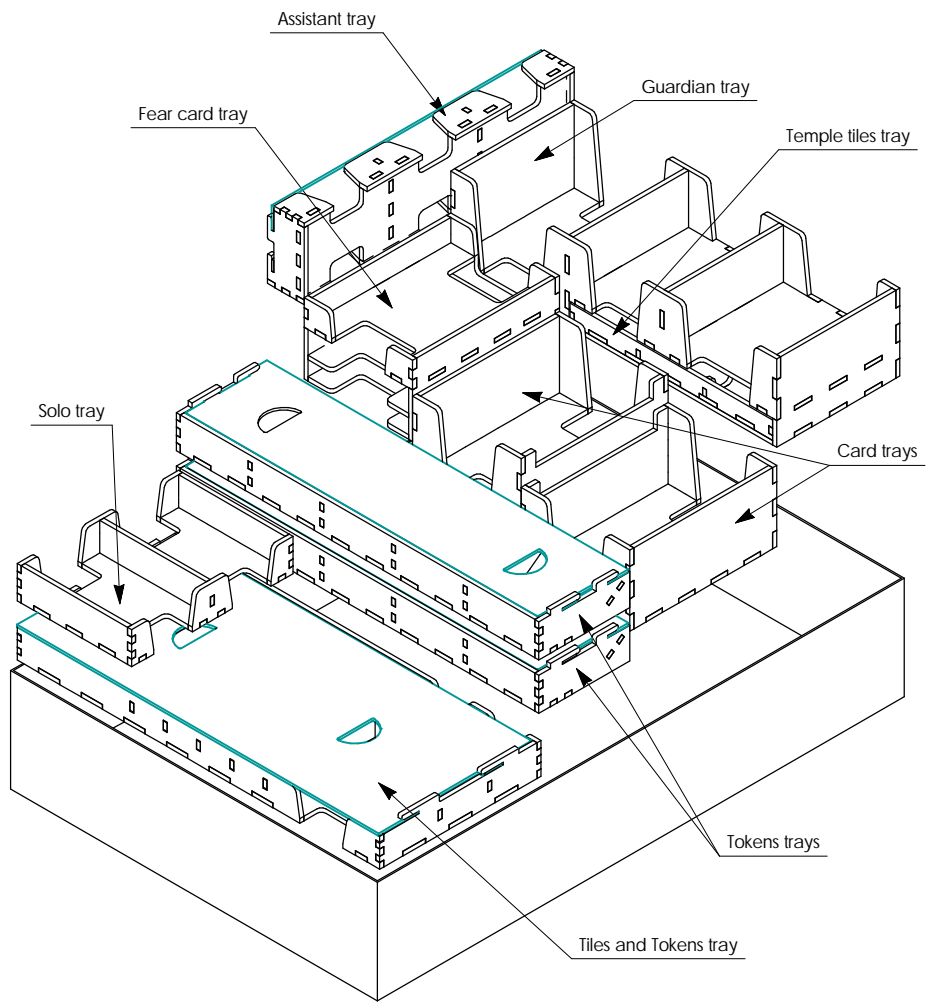


Card tray (x2)
(Parts C; Sheets 5, 6, 7)
Card trays are symmetrical to each other.
Switch positions of parts C2 and C3 on the second tray.

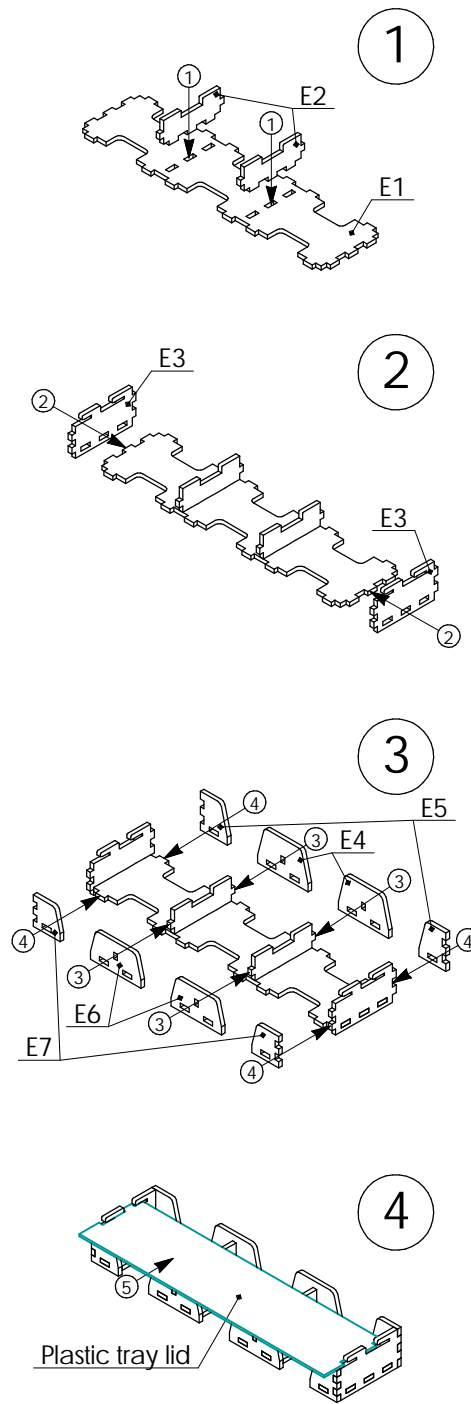


Solo tray
(Parts D; Sheet 4)

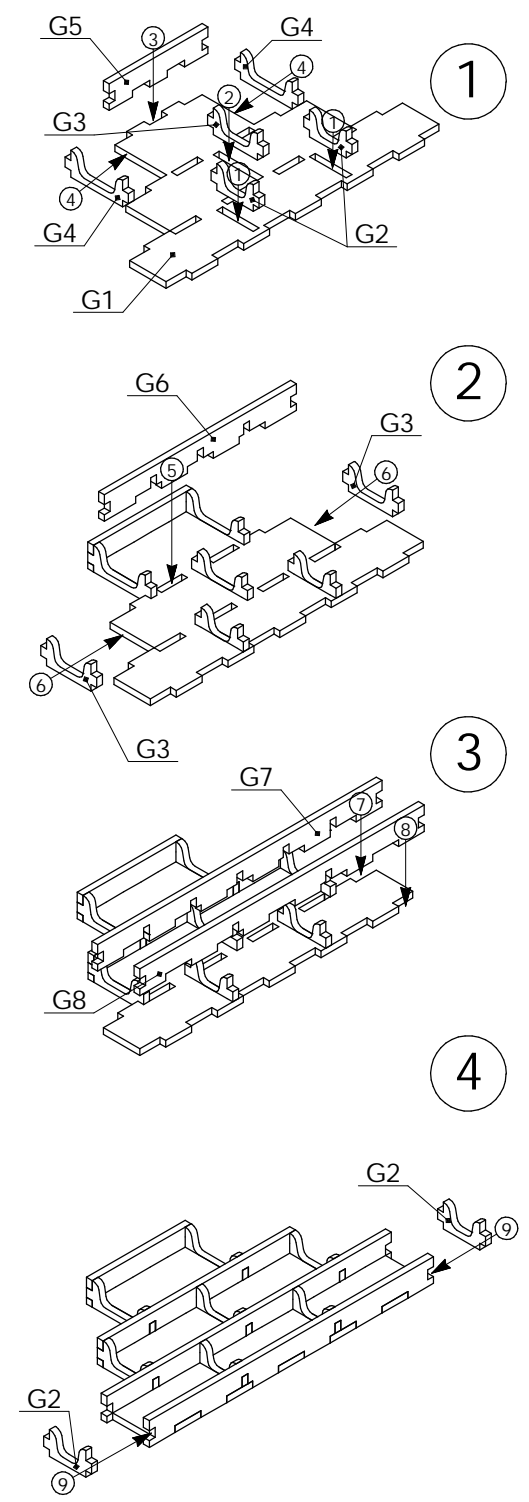




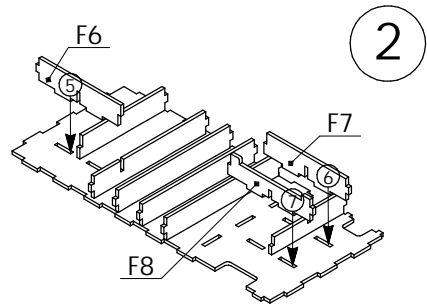
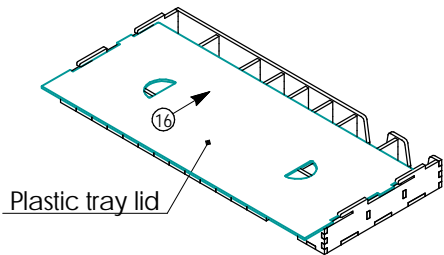
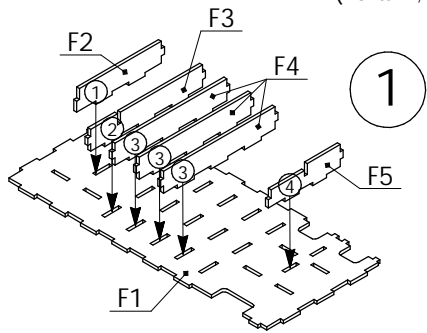
Assistant tray
(Parts E; Sheet 6)



Temple tiles tray
(Parts G; Sheet 6)



Tiles and Tokens tray
(Parts H; Sheets 4, 7, 8)



Fear card Tray
(Parts F; Sheet 9)

